

D6 Every Day | © 2020 Randall House. We grant duplication rights to purchasing churches to use or the purchasing church is a breach of ethics and illegal. Reproducing, copying, distributing, or sharing this study beyond the use of the purchasing church is a breach of ethics and illegal.

**EXPLORE TOGETHER:**

Show compassion to a family or individual who may be going through a difficult time by making them a card. Write some verses to encourage them on strips of construction paper and make a paper chain with them. Make an additional one for you too. Read the verses with your family members and use God's Word to help you know how to pray for others.

**I said my application verse to someone using a pirate voice!**

Color the face for each day you do this!

Day 1  
Day 2  
Day 3

**APPLICATION VERSE:**  
Matthew 28:18

**LEARNED:**  
ADVENTURE KIDS TODAY

Jesus cares about how we feel, hurts when we hurt, and rejoices when we rejoice.

**NEXT STEP:**  
I can keep my focus on Jesus, especially during difficult times.



**FAMILY THEME:**  
Jesus Has Power Over Death

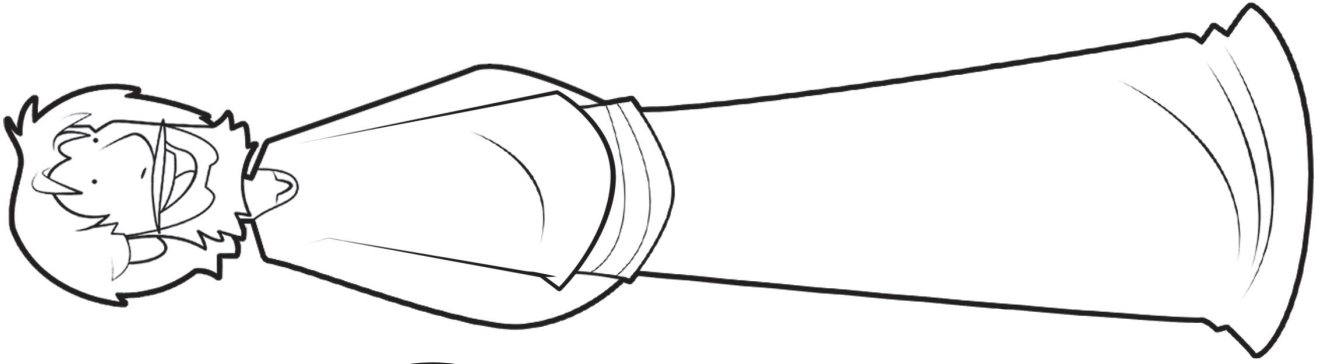
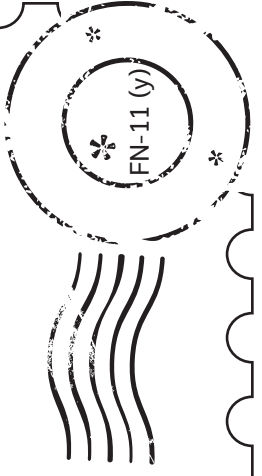
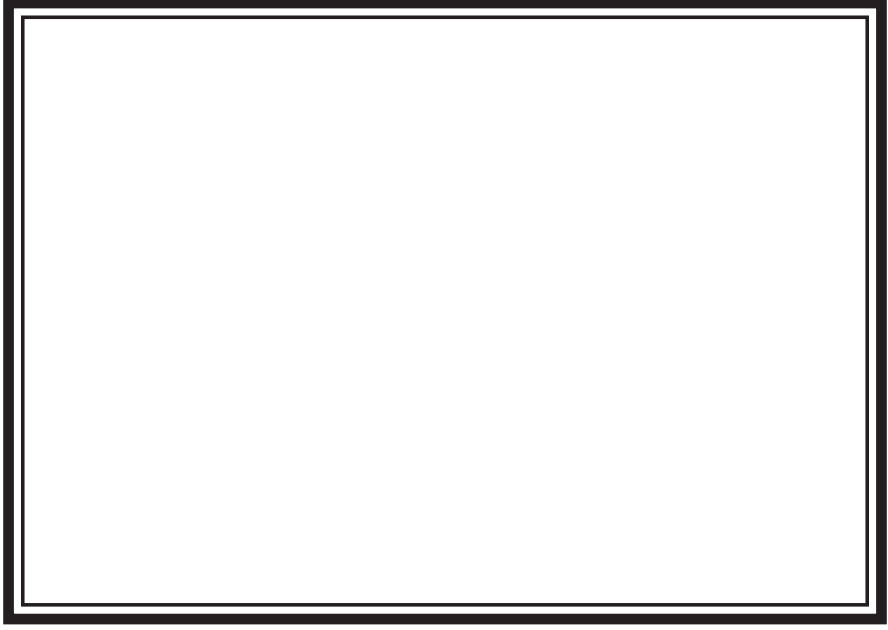
**SCRIPTURE:**  
John 11:1-44

**FIELD NOTES**

**BIBLE BASICS:**  
With your family, review the names and order of the first four books of the New Testament.

**PROPERTY OF:**

\* FN-11



**Jesus cares  
about  
us**

